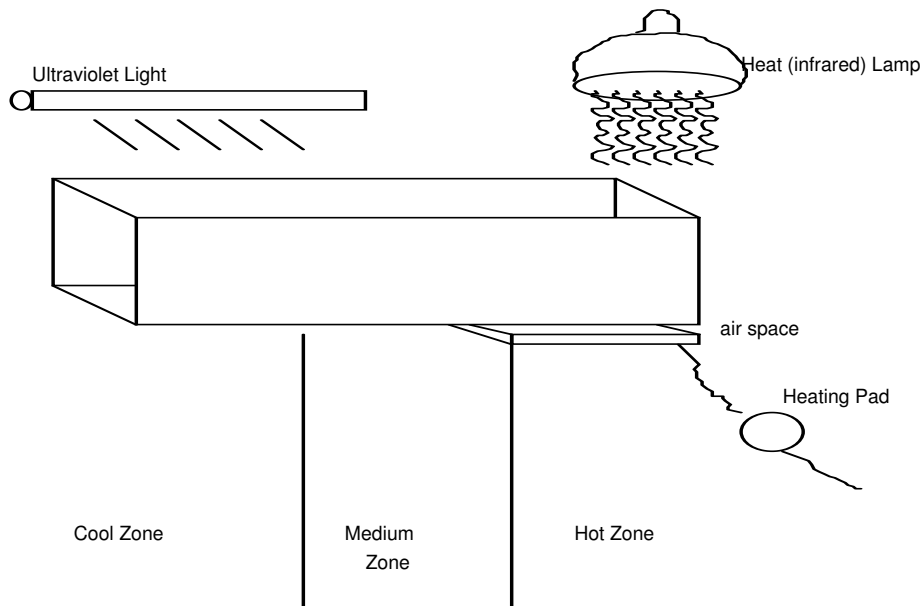


Terrarium Checklist

Information for the Pet Reptile Owner



- source of ultraviolet light for 8 - 12 hours per day.
- source of heat (heating pad or infrared light) that can be finely controlled.
- white light source on a timer.
- flooring or substrate that is easily cleaned. At least 3 should be available (one in the cage, one in the wash, on drying in the sunlight). Should be changed daily.
- temperature zones (cool, medium and hot) so reptile can self regulate its body temperature.
- basking area (stone or flat rock under the infrared lamp). No Hot Rocks!
- good air circulation with minimal pollution (i.e., avoid dust, cigarette smoke, etc.)
- proper humidity for your species.
- proper diet, vitamin supplementation and clean water.



Exotic and Bird Clinic of New Hampshire
91 North Stark Highway
Weare, New Hampshire
(603) 529 - 4999